



LANBAO SENSOR complete solution for the sensors

Established in 1998, Shanghai Lanbao Sensing Technology Co., Ltd. is a leading industrial automation products supplier in China. Our main businesses are industrial sensors R&D, production, sales and application, providing customers with standard and individual products and systems. Lanbao industrial sensors covers over 30 series, 3000 specifications, main products are inductive sensors, photoelectric sensors, capacitive sensors and pressure sensors. Lanbao has been making continuous breakthrough in new technology and new material application, which laid the foundation of its leading position in sensing technology.

Lanbao is an ISO9001:2008 quality management system and EU RoHS environmental directives implemented enterprise. Our series products are with CE, UL and CCC certification. The strict test in function, quality, reliability and production feasibility at the design stage of each product and the strict quality management in production ensure excellent quality products.

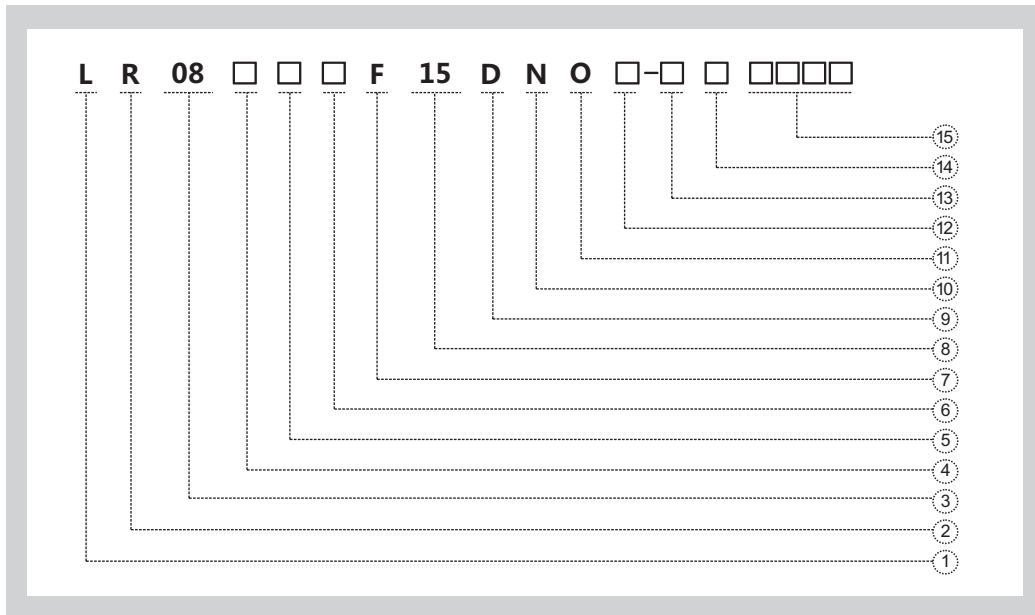
Focus on innovation, quality, service and global market, Lanbao insists on creating maximal value for customers.

Standard function inductive sensors

- Non-contact detecting way effectively avoids abrasion, safe and reliable.
- Built-in ASIC ensures quick response, high frequency, stable performance.
- Complete range of specification:
 - Smooth cylinder series: $\phi 4$ to $\phi 34$ mm;
 - threaded cylinder series :M5 to M30mm;
 - rectangular series: 7*7mm to 80*80mm.



Naming rules



1. Type Code

L:Inductive

2. Shape Code

R:Cylindrical
E:Rectangular

3. Size Code

Number:Housing diameter
e.g. 08:M8

4. Shape Code

Q:Smooth Cylindrical
V:Angle Column
Z:Combination
H:Ring-shaped
U:U-shaped
X:Semi-thread

5. Housing Material

N/A:Copper
S:Plastic
G:Stainless Steel
V:Aluminium

6. Housing Length

A:Short
B:Standard
C:Long

7. Mounting

N:Non-flush(nf)
F:Flush(f)

8. Sensing Distance

02:2mm
04:4mm
10:10mm

9. Supply Voltage

A:20...250VAC
B:90...250VAC
C:380VAC
D:10...30VDC
E:10...60VDC
F:8.2VDC
G:5...60VDC
L:15...30VDC
H:20...30VDC
I:10...40VDC
J:5VDC
S:20...250VAC/DC
T:12...24VDC

10. Output Way

B:AC/DC 2 wires
L:DC 2 wires
T:AC 2 wires
P:PNP
N:NPN
E:NPN/PNP
F:NPN+PNP
K:Relay

11. Output Status

A:NO/NC Reversible
B:NO/NC Optional
Cable Optional;Potentiometer optional
O:NO
C:NC
R:NO+NC
IU:Voltage+Current
(0...10V,0...20mA)
U:Voltage(0...10V)
I:Current(0...20mA)
I4:Current(4...20mA)

12. By Sensor Function

N/A:Standard function
M:Analogue
N:NAMUR
W:High Temperature Resistant(-25°C...120°C)
W1:Low Temperature Resistant(-40°C...70°C)
W2:High Temperature Resistant(-25°C...100°C)
B:High Pressure Resistant
T:Speed
Z:Self-Diagnosis
Y:Extended Sensing Distance
G:High Frequency
Q:Metal Sensing Face
A:Welding-immune
K:EMI
F:Detect Iron Object
NF:Detect Non-Iron Object
J:Rotation Speed

13. Cable Length

N/A:2m
3M:3m

14. Connection

N/A:2M cable
E1:M8 connector (3 pins)
E2:M12 connector (4 pins)
E3:M8 connector (4 pins)
E4:M12 trapezoid connector (4 pins)
E5:M12 connector (5 pins)
D:Terminal

15. Special Requirement

In 4 Digits

Wiring diagram

DC 2 Wires	Lead wire	M8 Connector	M12 Connector	Terminal connect
NO				
NC				

DC 3 Wires	Lead wire	M8 Connector	M12 Connector	Terminal connect
NPN NO				
NPN NC				
PNP NO				
PNP NC				

DC 4 Wires	Lead wire	M12 Connector	Terminal connect
NPN NO+NC			
PNP NO+NC			

AC 2 Wires	Lead wire	M12 Connector	Terminal connect
SCR NO			
SCR NC			

Inductive sensors

AC/DC 2 Wires	Lead wire	M12 Connector	Terminal connect
NO			
NC			
NO/NC			

NAMUR	Lead wire	M8 Connector	M12 Connector	Terminal connect

Analog output	Lead wire	M12 Connector	Terminal connect
3 Wires Voltage output			
3 Wires Current output			
4 Wires Voltage/current output			

Remarks	M8 Connector	M12 Connector
Connector		

Inductive sensors

Model	Output	Supply Voltage	Mounting	Sensing Distance	Specifications	Housing Material	Connection
AC 2 Wires							P.96
LR30X	AC 2 Wires	AC20-250V	quasi-flush/nf	15mm,22mm	M30*1.5*62	Nickel-copper alloy	Cable
LR30X	AC 2 Wires	AC20-250V	quasi-flush/nf	15mm,22mm	M30*1.5*73	Nickel-copper alloy	M12 Connector
AC/DC 2 Wires							P.99
LR18X	AC/DC 2 Wires	AC/DC 20-250V	quasi-flush/nf	8mm,12mm	M18*1*62	Nickel-copper alloy	Cable
LR18X	AC/DC 2 Wires	AC/DC 20-250V	quasi-flush/nf	8mm,12mm	M18*1*73	Nickel-copper alloy	M12 Connector
LR30X	AC/DC 2 Wires	AC/DC 20-250V	quasi-flush/nf	15mm,22mm	M30*1.5*62	Nickel-copper alloy	Cable
LR30X	AC/DC 2 Wires	AC/DC 20-250V	quasi-flush/nf	15mm,22mm	M30*1.5*73	Nickel-copper alloy	M12 Connector

Extended sensing distance combined type

P.101

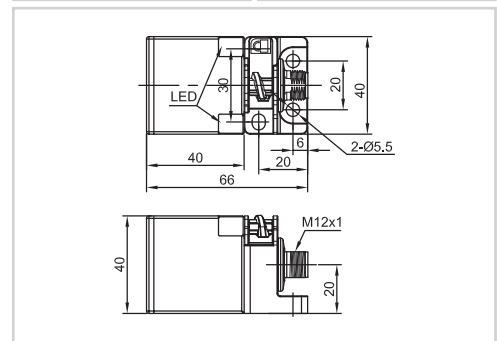
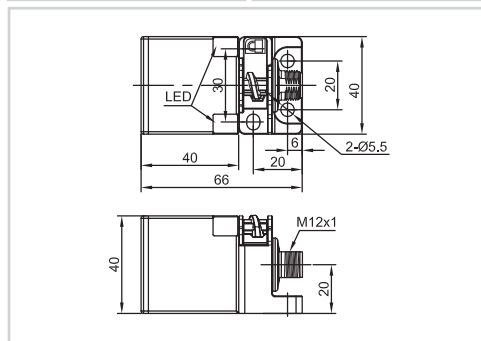
Model	Output	Supply Voltage	Mounting	Sensing Distance	Specifications	Housing Material	Connection
DC 3/4 Wires							P.101
LE40SZ	DC 3/4 Wires	DC10-30V	f/nf	25mm,40mm	40*40*66	PBT	M12 Connector
LE40SZ	DC 3/4 Wires	DC10-60V	f/nf	25mm,40mm	40*40*66	PBT	M12 Connector
LE40XZ	DC 3/4 Wires	DC10-30V	f/nf	25mm,40mm	40*40*120	PBT	Terminal connect
LE40XZ	DC 3/4 Wires	DC10-30V	f/nf	25mm,40mm	40*40*120	PBT	M12 Connector
LE40XZ	DC 3/4 Wires	DC10-60V	f/nf	25mm,40mm	40*40*120	PBT	Terminal connect
LE40XZ	DC 3/4 Wires	DC10-60V	f/nf	25mm,40mm	40*40*120	PBT	M12 Connector
LE80XZ	DC 3/4 Wires	DC10-30V	f/nf	50mm,70mm	80*80*40	PBT	Terminal connect
LE80XZ	DC 3/4 Wires	DC10-30V	f/nf	50mm,70mm	80*80*40	PBT	M12 Connector
LE80XZ	DC 3/4 Wires	DC10-60V	f/nf	50mm,70mm	80*80*40	PBT	Terminal connect
LE80XZ	DC 3/4 Wires	DC10-60V	f/nf	50mm,70mm	80*80*40	PBT	M12 Connector
DC 2 Wires							P.106
LE40SZ	DC 2 Wires	DC10-30V	f/nf	25mm,40mm	40*40*66	PBT	M12 Connector
LE40SZ	DC 2 Wires	DC10-60V	f/nf	25mm,40mm	40*40*66	PBT	M12 Connector
LE40XZ	DC 2 Wires	DC10-30V	f/nf	25mm,40mm	40*40*120	PBT	Terminal connect
LE40XZ	DC 2 Wires	DC10-30V	f/nf	25mm,40mm	40*40*120	PBT	M12 Connector
LE40XZ	DC 2 Wires	DC10-60V	f/nf	25mm,40mm	40*40*120	PBT	Terminal connect
LE40XZ	DC 2 Wires	DC10-60V	f/nf	25mm,40mm	40*40*120	PBT	M12 Connector
LE80XZ	DC 2 Wires	DC10-30V	f/nf	50mm,70mm	80*80*40	PBT	Terminal connect
LE80XZ	DC 2 Wires	DC10-30V	f/nf	50mm,70mm	80*80*40	PBT	M12 Connector
LE80XZ	DC 2 Wires	DC10-60V	f/nf	50mm,70mm	80*80*40	PBT	Terminal connect
LE80XZ	DC 2 Wires	DC10-60V	f/nf	50mm,70mm	80*80*40	PBT	M12 Connector

Item Code	LE40SZ		LE40SZ	
Mounting	● Quasi-flush	◐ Non-flush	● Quasi-flush	◐ Non-flush
Sensing distance	25mm	40mm	25mm	40mm



Output	NPN NO	LE40SZSF25DNOY-E2	LE40SZSN40DNOY-E2	LE40SZSF25ENOY-E2	LE40SZSN40ENOY-E2
	NPN NC	LE40SZSF25DNCY-E2	LE40SZSN40DNCY-E2	LE40SZSF25ENCY-E2	LE40SZSN40ENCY-E2
	NPN NO+NC	LE40SZSF25DNRY-E2	LE40SZSN40DNRY-E2	LE40SZSF25ENRY-E2	LE40SZSN40ENRY-E2
Output	PNP NO	LE40SZSF25DPOY-E2	LE40SZSN40DPOY-E2	LE40SZSF25EPOY-E2	LE40SZSN40EPOY-E2
	PNP NC	LE40SZSF25DPCY-E2	LE40SZSN40DPCY-E2	LE40SZSF25EPCY-E2	LE40SZSN40EPCY-E2
	PNP NO+NC	LE40SZSF25DPRY-E2	LE40SZSN40DPRY-E2	LE40SZSF25EPRY-E2	LE40SZSN40EPRY-E2

Technical Parameter				
Supply voltage	10...30 VDC	10...30 VDC	10...60 VDC	10...60 VDC
Switch point drift	< ±10% Sr	< ±10% Sr	< ±10% Sr	< ±10% Sr
Load current	<200mA	<200mA	<200mA	<200mA
Voltage drop	<2.5V	<2.5V	<2.5V	<2.5V
Consumption current	<10mA	<10mA	<10mA	<10mA
Hysteresis	1...20%	1...20%	1...20%	1...20%
Repeat accuracy	<3%	<3%	<3%	<3%
Frequency	200Hz	100Hz	200Hz	100Hz
Output indicator	Yellow LED	Yellow LED	Yellow LED	Yellow LED
Polarity protection	yes	yes	yes	yes
Dielectric strength	1000V/AC 50/60Hz 60s	1000V/AC 50/60Hz 60s	1000V/AC 50/60Hz 60s	1000V/AC 50/60Hz 60s
Short-circuit protection	yes	yes	yes	yes
Ambient temperature	-25...+70°C	-25...+70°C	-25...+70°C	-25...+70°C
Ambient moisture	35...95%	35...95%	35...95%	35...95%
Protection degree	IP67	IP67	IP67	IP67
Housing material	PBT	PBT	PBT	PBT
Connection	M12 Connector	M12 Connector	M12 Connector	M12 Connector
Certification	CE	CE	CE	CE

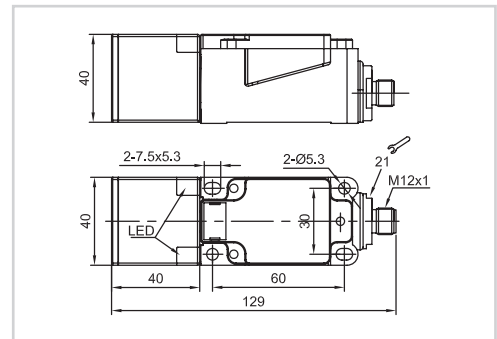
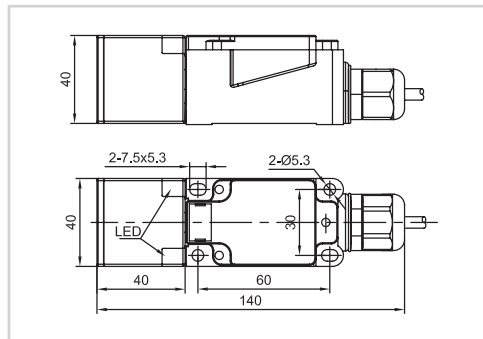


Item Code	LE40XZ		LE40XZ	
Mounting	● Quasi-flush	◐ Non-flush	● Quasi-flush	◐ Non-flush
Sensing distance	25mm	40mm	25mm	40mm



Output	NPN NO	LE40XZSF25DNOY-D	LE40XZSN40DNOY-D	LE40XZSF25DNOY-E2	LE40XZSN40DNOY-E2
	NPN NC	LE40XZSF25DNCY-D	LE40XZSN40DNCY-D	LE40XZSF25DNCY-E2	LE40XZSN40DNCY-E2
	NPN NO+NC	LE40XZSF25DNRY-D	LE40XZSN40DNRY-D	LE40XZSF25DNRY-E2	LE40XZSN40DNRY-E2
Output	PNP NO	LE40XZSF25DPOY-D	LE40XZSN40DPOY-D	LE40XZSF25DPOY-E2	LE40XZSN40DPOY-E2
	PNP NC	LE40XZSF25DPCY-D	LE40XZSN40DPCY-D	LE40XZSF25DPCY-E2	LE40XZSN40DPCY-E2
	PNP NO+NC	LE40XZSF25DPRY-D	LE40XZSN40DPRY-D	LE40XZSF25DPRY-E2	LE40XZSN40DPRY-E2

Technical Parameter				
Supply voltage	10...30 VDC	10...30 VDC	10...30 VDC	10...30 VDC
Switch point drift	< ±10% Sr	< ±10% Sr	< ±10% Sr	< ±10% Sr
Load current	<200mA	<200mA	<200mA	<200mA
Voltage drop	<2.5V	<2.5V	<2.5V	<2.5V
Consumption current	<10mA	<10mA	<10mA	<10mA
Hysteresis	1...20%	1...20%	1...20%	1...20%
Repeat accuracy	<3%	<3%	<3%	<3%
Frequency	200Hz	100Hz	200Hz	100Hz
Output indicator	Yellow LED	Yellow LED	Yellow LED	Yellow LED
Polarity protection	yes	yes	yes	yes
Dielectric strength	1000V/AC 50/60Hz 60s	1000V/AC 50/60Hz 60s	1000V/AC 50/60Hz 60s	1000V/AC 50/60Hz 60s
Short-circuit protection	yes	yes	yes	yes
Ambient temperature	-25...+70°C	-25...+70°C	-25...+70°C	-25...+70°C
Ambient moisture	35...95%	35...95%	35...95%	35...95%
Protection degree	IP67	IP67	IP67	IP67
Housing material	PBT	PBT	PBT	PBT
Connection	Terminal connect	Terminal connect	M12 Connector	M12 Connector
Certification	CE	CE	CE	CE

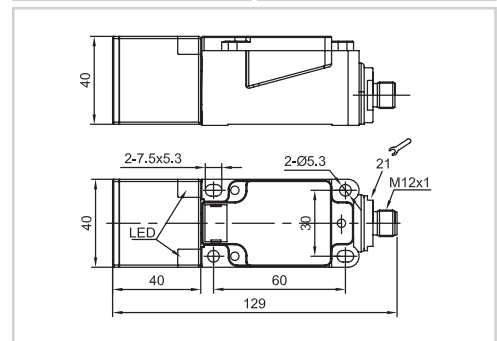
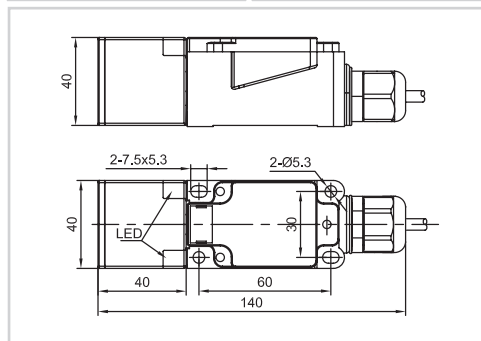


Item Code	LE40XZ		LE40XZ	
Mounting	● Quasi-flush	◐ Non-flush	● Quasi-flush	◐ Non-flush
Sensing distance	25mm	40mm	25mm	40mm



Output	NPN NO	LE40XZSF25ENOY-D	LE40XZSN40ENOY-D	LE40XZSF25ENOY-E2	LE40XZSN40ENOY-E2
	NPN NC	LE40XZSF25ENCY-D	LE40XZSN40ENCY-D	LE40XZSF25ENCY-E2	LE40XZSN40ENCY-E2
	NPN NO+NC	LE40XZSF25ENRY-D	LE40XZSN40ENRY-D	LE40XZSF25ENRY-E2	LE40XZSN40ENRY-E2
Output	PNP NO	LE40XZSF25EPOY-D	LE40XZSN40EPOY-D	LE40XZSF25EPOY-E2	LE40XZSN40EPOY-E2
	PNP NC	LE40XZSF25EPCY-D	LE40XZSN40EPCY-D	LE40XZSF25EPCY-E2	LE40XZSN40EPCY-E2
	PNP NO+NC	LE40XZSF25EPRY-D	LE40XZSN40EPRY-D	LE40XZSF25EPRY-E2	LE40XZSN40EPRY-E2

Technical Parameter				
Supply voltage	10...60 VDC	10...60 VDC	10...60 VDC	10...60 VDC
Switch point drift	< ±10% Sr	< ±10% Sr	< ±10% Sr	< ±10% Sr
Load current	<200mA	<200mA	<200mA	<200mA
Voltage drop	<2.5V	<2.5V	<2.5V	<2.5V
Consumption current	<10mA	<10mA	<10mA	<10mA
Hysteresis	1...20%	1...20%	1...20%	1...20%
Repeat accuracy	<3%	<3%	<3%	<3%
Frequency	200Hz	100Hz	200Hz	100Hz
Output indicator	Yellow LED	Yellow LED	Yellow LED	Yellow LED
Polarity protection	yes	yes	yes	yes
Dielectric strength	1000V/AC 50/60Hz 60s	1000V/AC 50/60Hz 60s	1000V/AC 50/60Hz 60s	1000V/AC 50/60Hz 60s
Short-circuit protection	yes	yes	yes	yes
Ambient temperature	-25...+70°C	-25...+70°C	-25...+70°C	-25...+70°C
Ambient moisture	35...95%	35...95%	35...95%	35...95%
Protection degree	IP67	IP67	IP67	IP67
Housing material	PBT	PBT	PBT	PBT
Connection	Terminal connect	Terminal connect	M12 Connector	M12 Connector
Certification	CE	CE	CE	CE

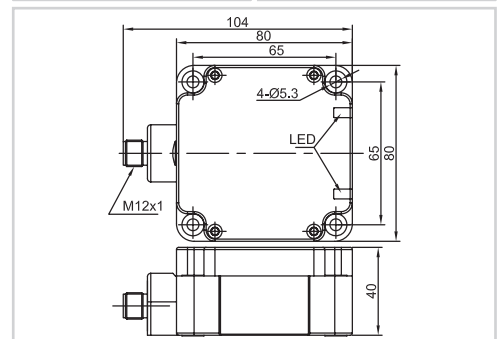
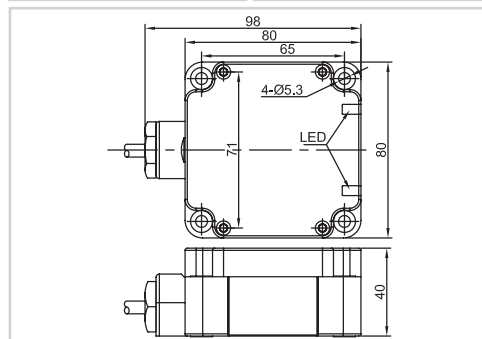


Item Code	LE80XZ		LE80XZ	
Mounting	● Quasi-flush	◐ Non-flush	● Quasi-flush	◐ Non-flush
Sensing distance	50mm	70mm	50mm	70mm



Output	NPN NO	LE80XZSF50DNOY-D	LE80XZSN70DNOY-D	LE80XZSF50DNOY-E2	LE80XZSN70DNOY-E2
	NPN NC	LE80XZSF50DNCY-D	LE80XZSN70DNCY-D	LE80XZSF50DNCY-E2	LE80XZSN70DNCY-E2
	NPN NO+NC	LE80XZSF50DNRY-D	LE80XZSN70DNRY-D	LE80XZSF50DNRY-E2	LE80XZSN70DNRY-E2
Output	PNP NO	LE80XZSF50DPOY-D	LE80XZSN70DPOY-D	LE80XZSF50DPOY-E2	LE80XZSN70DPOY-E2
	PNP NC	LE80XZSF50DPCY-D	LE80XZSN70DPCY-D	LE80XZSF50DPCY-E2	LE80XZSN70DPCY-E2
	PNP NO+NC	LE80XZSF50DPRY-D	LE80XZSN70DPRY-D	LE80XZSF50DPRY-E2	LE80XZSN70DPRY-E2

Technical Parameter				
Supply voltage	10...30 VDC	10...30 VDC	10...30 VDC	10...30 VDC
Switch point drift	< ±10% Sr	< ±10% Sr	< ±10% Sr	< ±10% Sr
Load current	<200mA	<200mA	<200mA	<200mA
Voltage drop	<2.5V	<2.5V	<2.5V	<2.5V
Consumption current	<10mA	<10mA	<10mA	<10mA
Hysteresis	1...20%	1...20%	1...20%	1...20%
Repeat accuracy	<3%	<3%	<3%	<3%
Frequency	50Hz	30Hz	50Hz	30Hz
Output indicator	Yellow LED	Yellow LED	Yellow LED	Yellow LED
Polarity protection	yes	yes	yes	yes
Dielectric strength	1000V/AC 50/60Hz 60s	1000V/AC 50/60Hz 60s	1000V/AC 50/60Hz 60s	1000V/AC 50/60Hz 60s
Short-circuit protection	yes	yes	yes	yes
Ambient temperature	-25...+70°C	-25...+70°C	-25...+70°C	-25...+70°C
Ambient moisture	35...95%	35...95%	35...95%	35...95%
Protection degree	IP67	IP67	IP67	IP67
Housing material	PBT	PBT	PBT	PBT
Connection	Terminal connect	Terminal connect	M12 Connector	M12 Connector
Certification	CE	CE	CE	CE

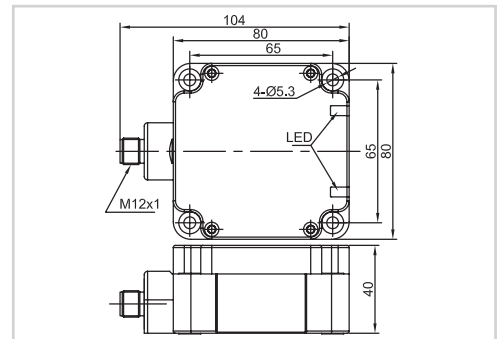
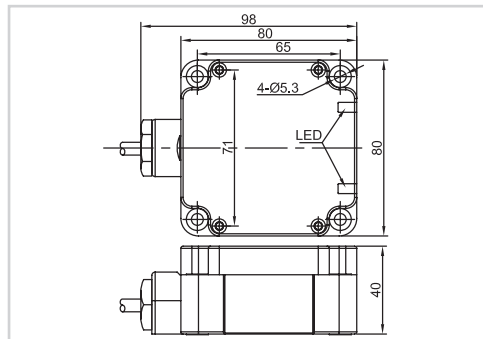


Item Code	LE80XZ		LE80XZ	
Mounting	● Quasi-flush	◐ Non-flush	● Quasi-flush	◐ Non-flush
Sensing distance	50mm	70mm	50mm	70mm



Output	NPN NO	LE80XZSF50ENYOY-D	LE80XZSN70ENYOY-D	LE80XZSF50ENYOY-E2	LE80XZSN70ENYOY-E2
	NPN NC	LE80XZSF50ENCY-D	LE80XZSN70ENCY-D	LE80XZSF50ENCY-E2	LE80XZSN70ENCY-E2
	NPN NO+NC	LE80XZSF50ENRY-D	LE80XZSN70ENRY-D	LE80XZSF50ENRY-E2	LE80XZSN70ENRY-E2
Output	PNP NO	LE80XZSF50EPOY-D	LE80XZSN70EPOY-D	LE80XZSF50EPOY-E2	LE80XZSN70EPOY-E2
	PNP NC	LE80XZSF50EPCY-D	LE80XZSN70EPCY-D	LE80XZSF50EPCY-E2	LE80XZSN70EPCY-E2
	PNP NO+NC	LE80XZSF50EPRY-D	LE80XZSN70EPRY-D	LE80XZSF50EPRY-E2	LE80XZSN70EPRY-E2

Technical Parameter				
Supply voltage	10...60 VDC	10...60 VDC	10...60 VDC	10...60 VDC
Switch point drift	< ±10% Sr	< ±10% Sr	< ±10% Sr	< ±10% Sr
Load current	<200mA	<200mA	<200mA	<200mA
Voltage drop	<2.5V	<2.5V	<2.5V	<2.5V
Consumption current	<10mA	<10mA	<10mA	<10mA
Hysteresis	1...20%	1...20%	1...20%	1...20%
Repeat accuracy	<3%	<3%	<3%	<3%
Frequency	50Hz	30Hz	50Hz	30Hz
Output indicator	Yellow LED	Yellow LED	Yellow LED	Yellow LED
Polarity protection	yes	yes	yes	yes
Dielectric strength	1000V/AC 50/60Hz 60s	1000V/AC 50/60Hz 60s	1000V/AC 50/60Hz 60s	1000V/AC 50/60Hz 60s
Short-circuit protection	yes	yes	yes	yes
Ambient temperature	-25...+70°C	-25...+70°C	-25...+70°C	-25...+70°C
Ambient moisture	35...95%	35...95%	35...95%	35...95%
Protection degree	IP67	IP67	IP67	IP67
Housing material	PBT	PBT	PBT	PBT
Connection	Terminal connect	Terminal connect	M12 Connector	M12 Connector
Certification	CE	CE	CE	CE

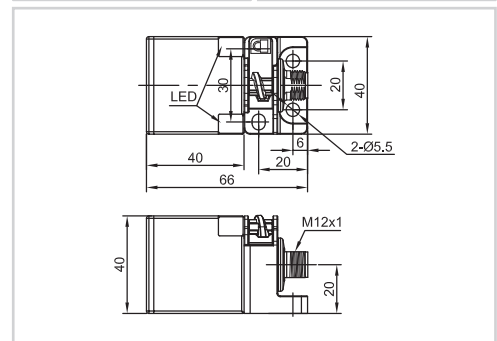
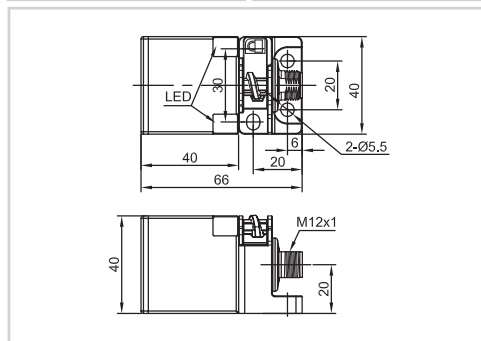


Item Code	LE40SZ		LE40SZ	
Mounting	● Quasi-flush	◐ Non-flush	● Quasi-flush	◐ Non-flush
Sensing distance	25mm	40mm	25mm	40mm



Output	DC 2 Wires NO	LE40SZSF25DLOY-E2	LE40SZSN40DLOY-E2	LE40SZSF25ELOY-E2	LE40SZSN40ELOY-E2
	DC 2 Wires NC	LE40SZSF25DLCY-E2	LE40SZSN40DLCY-E2	LE40SZSF25ELCY-E2	LE40SZSN40ELCY-E2

Technical Parameter				
Supply voltage	10...30 VDC	10...30 VDC	10...60 VDC	10...60 VDC
Switch point drift	< ±10% Sr	< ±10% Sr	< ±10% Sr	< ±10% Sr
Load current	<100mA	<100mA	<100mA	<100mA
Voltage drop	<6V	<6V	<6V	<6V
Leakage current	<1mA	<1mA	<1mA	<1mA
Hysteresis	1...20%	1...20%	1...20%	1...20%
Repeat accuracy	<3%	<3%	<3%	<3%
Frequency	200Hz	100Hz	200Hz	100Hz
Output indicator	Yellow LED	Yellow LED	Yellow LED	Yellow LED
Polarity protection	yes	yes	yes	yes
Dielectric strength	1000V/AC 50/60Hz 60s	1000V/AC 50/60Hz 60s	1000V/AC 50/60Hz 60s	1000V/AC 50/60Hz 60s
Short-circuit protection	yes	yes	yes	yes
Ambient temperature	-25...+70°C	-25...+70°C	-25...+70°C	-25...+70°C
Ambient moisture	35...95%	35...95%	35...95%	35...95%
Protection degree	IP67	IP67	IP67	IP67
Housing material	PBT	PBT	PBT	PBT
Connection	M12 Connector	M12 Connector	M12 Connector	M12 Connector
Certification	CE	CE	CE	CE



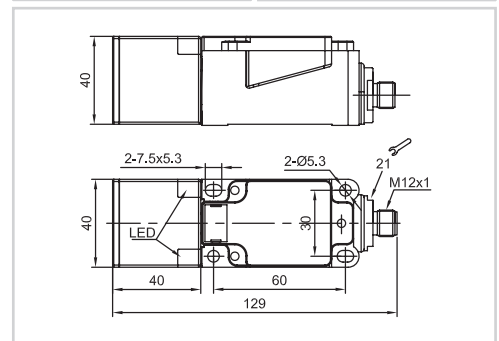
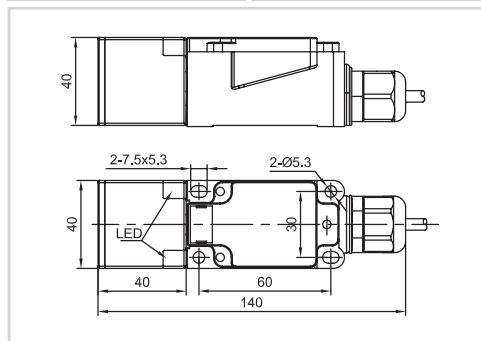
Item Code	LE40XZ		LE40XZ	
Mounting	● Quasi-flush	◐ Non-flush	● Quasi-flush	◐ Non-flush
Sensing distance	25mm	40mm	25mm	40mm



Output	DC 2 Wires NO	LE40XZSF25DLOY-D	LE40XZSN40DLOY-D	LE40XZSF25DLOY-E2	LE40XZSN40DLOY-E2
	DC 2 Wires NC	LE40XZSF25DLCY-D	LE40XZSN40DLCY-D	LE40XZSF25DLCY-E2	LE40XZSN40DLCY-E2

Technical Parameter

Supply voltage	10...30 VDC	10...30 VDC	10...30 VDC	10...30 VDC
Switch point drift	< ±10% Sr	< ±10% Sr	< ±10% Sr	< ±10% Sr
Load current	<100mA	<100mA	<100mA	<100mA
Voltage drop	<6V	<6V	<6V	<6V
Leakage current	<1mA	<1mA	<1mA	<1mA
Hysteresis	1...20%	1...20%	1...20%	1...20%
Repeat accuracy	<3%	<3%	<3%	<3%
Frequency	200Hz	100Hz	200Hz	100Hz
Output indicator	Yellow LED	Yellow LED	Yellow LED	Yellow LED
Polarity protection	yes	yes	yes	yes
Dielectric strength	1000V/AC 50/60Hz 60s	1000V/AC 50/60Hz 60s	1000V/AC 50/60Hz 60s	1000V/AC 50/60Hz 60s
Short-circuit protection	yes	yes	yes	yes
Ambient temperature	-25...+70°C	-25...+70°C	-25...+70°C	-25...+70°C
Ambient moisture	35...95%	35...95%	35...95%	35...95%
Protection degree	IP67	IP67	IP67	IP67
Housing material	PBT	PBT	PBT	PBT
Connection	Terminal connect	Terminal connect	M12 Connector	M12 Connector
Certification	CE	CE	CE	CE

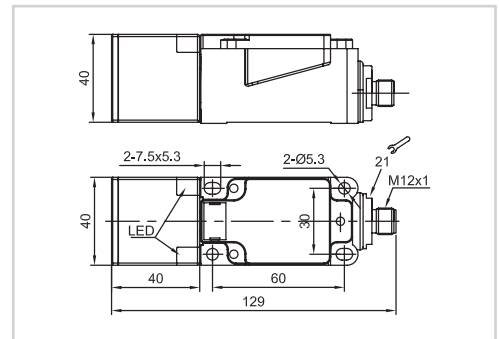
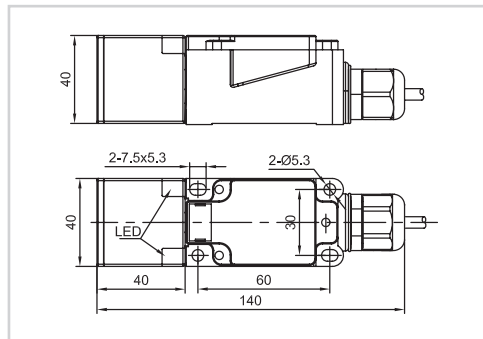


Item Code	LE40XZ		LE40XZ	
Mounting	● Quasi-flush	◐ Non-flush	● Quasi-flush	◐ Non-flush
Sensing distance	25mm	40mm	25mm	40mm



Output	DC 2 Wires NO	LE40XZSF25ELOY-D	LE40XZSN40ELOY-D	LE40XZSF25ELOY-E2	LE40XZSN40ELOY-E2
	DC 2 Wires NC	LE40XZSF25ELCY-D	LE40XZSN40ELCY-D	LE40XZSF25ELCY-E2	LE40XZSN40ELCY-E2

Technical Parameter				
Supply voltage	10...60 VDC	10...60 VDC	10...60 VDC	10...60 VDC
Switch point drift	< ±10% Sr	< ±10% Sr	< ±10% Sr	< ±10% Sr
Load current	<100mA	<100mA	<100mA	<100mA
Voltage drop	<6V	<6V	<6V	<6V
Leakage current	<1mA	<1mA	<1mA	<1mA
Hysteresis	1...20%	1...20%	1...20%	1...20%
Repeat accuracy	<3%	<3%	<3%	<3%
Frequency	200Hz	100Hz	200Hz	100Hz
Output indicator	Yellow LED	Yellow LED	Yellow LED	Yellow LED
Polarity protection	yes	yes	yes	yes
Dielectric strength	1000V/AC 50/60Hz 60s	1000V/AC 50/60Hz 60s	1000V/AC 50/60Hz 60s	1000V/AC 50/60Hz 60s
Short-circuit protection	yes	yes	yes	yes
Ambient temperature	-25...+70°C	-25...+70°C	-25...+70°C	-25...+70°C
Ambient moisture	35...95%	35...95%	35...95%	35...95%
Protection degree	IP67	IP67	IP67	IP67
Housing material	PBT	PBT	PBT	PBT
Connection	Terminal connect	Terminal connect	M12 Connector	M12 Connector
Certification	CE	CE	CE	CE

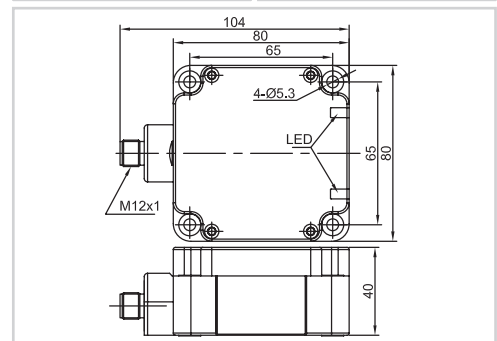
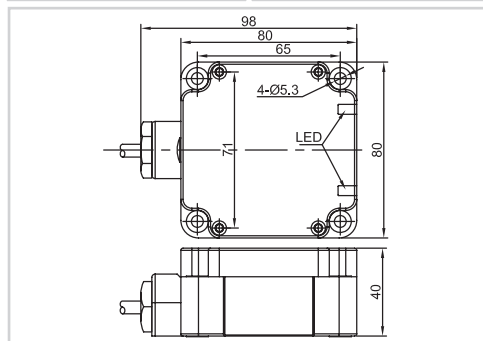


Item Code	LE80XZ		LE80XZ	
Mounting	● Quasi-flush	◐ Non-flush	● Quasi-flush	◐ Non-flush
Sensing distance	50mm	70mm	50mm	70mm



Output	DC 2 Wires NO	LE80XZSF50DLOY-D	LE80XZSN70DLOY-D	LE80XZSF50DLOY-E2	LE80XZSN70DLOY-E2
	DC 2 Wires NC	LE80XZSF50DLCY-D	LE80XZSN70DLCY-D	LE80XZSF50DLCY-E2	LE80XZSN70DLCY-E2

Technical Parameter					
Supply voltage	10...30 VDC	10...30 VDC	10...30 VDC	10...30 VDC	10...30 VDC
Switch point drift	< ±10% Sr	< ±10% Sr	< ±10% Sr	< ±10% Sr	< ±10% Sr
Load current	<100mA	<100mA	<100mA	<100mA	<100mA
Voltage drop	<6V	<6V	<6V	<6V	<6V
Leakage current	<1mA	<1mA	<1mA	<1mA	<1mA
Hysteresis	1...20%	1...20%	1...20%	1...20%	1...20%
Repeat accuracy	<3%	<3%	<3%	<3%	<3%
Frequency	50Hz	30Hz	50Hz	30Hz	30Hz
Output indicator	Yellow LED	Yellow LED	Yellow LED	Yellow LED	Yellow LED
Polarity protection	yes	yes	yes	yes	yes
Dielectric strength	1000V/AC 50/60Hz 60s	1000V/AC 50/60Hz 60s	1000V/AC 50/60Hz 60s	1000V/AC 50/60Hz 60s	1000V/AC 50/60Hz 60s
Short-circuit protection	yes	yes	yes	yes	yes
Ambient temperature	-25...+70°C	-25...+70°C	-25...+70°C	-25...+70°C	-25...+70°C
Ambient moisture	35...95%	35...95%	35...95%	35...95%	35...95%
Protection degree	IP67	IP67	IP67	IP67	IP67
Housing material	PBT	PBT	PBT	PBT	PBT
Connection	Terminal connect	Terminal connect	M12 Connector	M12 Connector	M12 Connector
Certification	CE	CE	CE	CE	CE

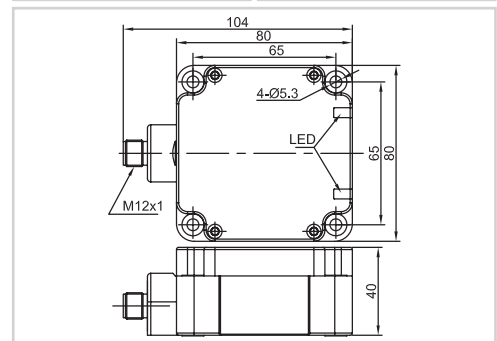
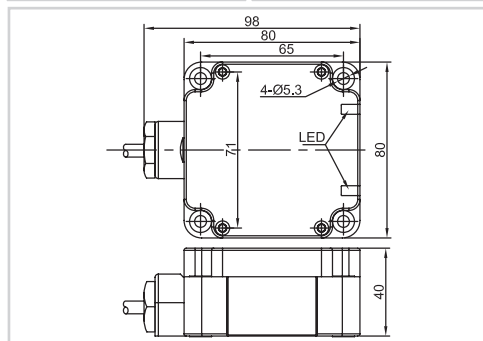


Item Code	LE80XZ		LE80XZ	
Mounting	● Quasi-flush	◐ Non-flush	● Quasi-flush	◐ Non-flush
Sensing distance	50mm	70mm	50mm	70mm



Output	DC 2 Wires NO	LE80XZSF50ELOY-D	LE80XZSN70ELOY-D	LE80XZSF50ELOY-E2	LE80XZSN70ELOY-E2
	DC 2 Wires NC	LE80XZSF50ELCY-D	LE80XZSN70ELCY-D	LE80XZSF50ELCY-E2	LE80XZSN70ELCY-E2

Technical Parameter				
Supply voltage	10...60 VDC	10...60 VDC	10...60 VDC	10...60 VDC
Switch point drift	< ±10% Sr	< ±10% Sr	< ±10% Sr	< ±10% Sr
Load current	<100mA	<100mA	<100mA	<100mA
Voltage drop	<6V	<6V	<6V	<6V
Leakage current	<1mA	<1mA	<1mA	<1mA
Hysteresis	1...20%	1...20%	1...20%	1...20%
Repeat accuracy	<3%	<3%	<3%	<3%
Frequency	50Hz	30Hz	50Hz	30Hz
Output indicator	Yellow LED	Yellow LED	Yellow LED	Yellow LED
Polarity protection	yes	yes	yes	yes
Dielectric strength	1000V/AC 50/60Hz 60s	1000V/AC 50/60Hz 60s	1000V/AC 50/60Hz 60s	1000V/AC 50/60Hz 60s
Short-circuit protection	yes	yes	yes	yes
Ambient temperature	-25...+70°C	-25...+70°C	-25...+70°C	-25...+70°C
Ambient moisture	35...95%	35...95%	35...95%	35...95%
Protection degree	IP67	IP67	IP67	IP67
Housing material	PBT	PBT	PBT	PBT
Connection	Terminal connect	Terminal connect	M12 Connector	M12 Connector
Certification	CE	CE	CE	CE

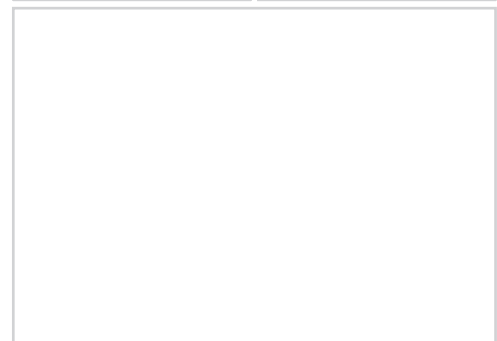
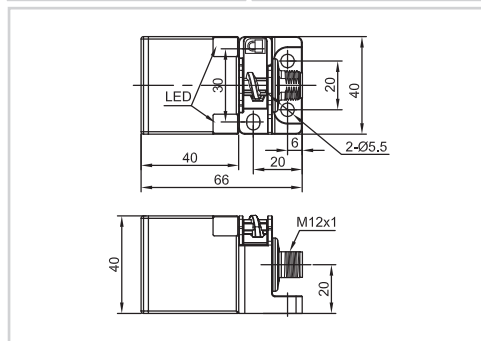


Item Code	LE40SZ			
Mounting	● Quasi-flush	◐ Non-flush		
Sensing distance	25mm	40mm		



Output	AC 2 Wires NO	LE40SZSF25ATOY-E2	LE40SZSN40ATOY-E2		
	AC 2 Wires NC	LE40SZSF25ATCY-E2	LE40SZSN40ATCY-E2		

Technical Parameter					
Supply voltage		20...250 VAC	20...250 VAC		
Switch point drift		< ±10% Sr	< ±10% Sr		
Load current		<300mA	<300mA		
Voltage drop		<10V	<10V		
Leakage current		<3mA	<3mA		
Hysteresis		1...20%	1...20%		
Repeat accuracy		<3%	<3%		
Frequency		20Hz	20Hz		
Output indicator		Yellow LED	Yellow LED		
Polarity protection			
Dielectric strength		2000V/AC 50/60Hz 60s	2000V/AC 50/60Hz 60s		
Short-circuit protection			
Ambient temperature		-25...+70°C	-25...+70°C		
Ambient moisture		35...95%	35...95%		
Protection degree		IP67	IP67		
Housing material		PBT	PBT		
Connection		M12 Connector	M12 Connector		
Certification		CE	CE		

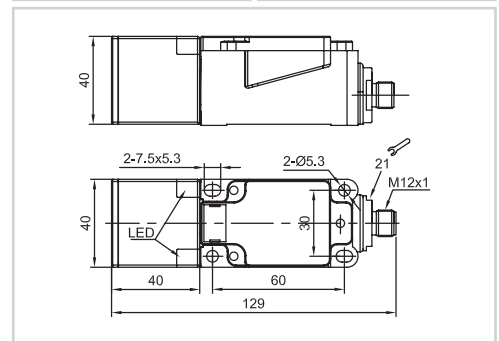
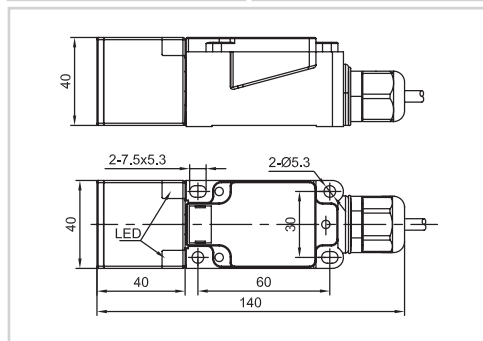


Item Code	LE40XZ		LE40XZ	
Mounting	● Quasi-flush	◐ Non-flush	● Quasi-flush	◐ Non-flush
Sensing distance	25mm	40mm	25mm	40mm



Output	AC 2 Wires NO	LE40XZSF25ATOY-D	LE40XZSN40ATOY-D	LE40XZSF25ATOY-E2	LE40XZSN40ATOY-E2
	AC 2 Wires NC	LE40XZSF25ATCY-D	LE40XZSN40ATCY-D	LE40XZSF25ATCY-E2	LE40XZSN40ATCY-E2

Technical Parameter				
Supply voltage	20...250 VAC	20...250 VAC	20...250 VAC	20...250 VAC
Switch point drift	< ±10% Sr	< ±10% Sr	< ±10% Sr	< ±10% Sr
Load current	<300mA	<300mA	<300mA	<300mA
Voltage drop	<10V	<10V	<10V	<10V
Leakage current	<3mA	<3mA	<3mA	<3mA
Hysteresis	1...20%	1...20%	1...20%	1...20%
Repeat accuracy	<3%	<3%	<3%	<3%
Frequency	20Hz	20Hz	20Hz	20Hz
Output indicator	Yellow LED	Yellow LED	Yellow LED	Yellow LED
Polarity protection
Dielectric strength	2000V/AC 50/60Hz 60s	2000V/AC 50/60Hz 60s	2000V/AC 50/60Hz 60s	2000V/AC 50/60Hz 60s
Short-circuit protection
Ambient temperature	-25...+70°C	-25...+70°C	-25...+70°C	-25...+70°C
Ambient moisture	35...95%	35...95%	35...95%	35...95%
Protection degree	IP67	IP67	IP67	IP67
Housing material	PBT	PBT	PBT	PBT
Connection	Terminal connect	Terminal connect	M12 Connector	M12 Connector
Certification	CE	CE	CE	CE



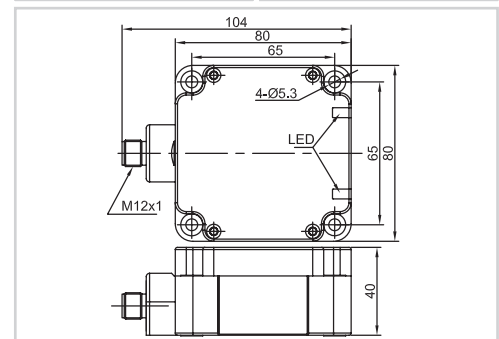
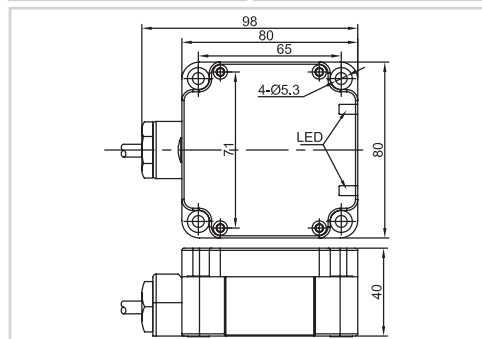
Item Code	LE80XZ		LE80XZ	
Mounting	● Quasi-flush	◐ Non-flush	● Quasi-flush	◐ Non-flush
Sensing distance	50mm	70mm	50mm	70mm



Output	AC 2 Wires NO	LE80XZSF50ATOY-D	LE80XZSN70ATOY-D	LE80XZSF50ATOY-E2	LE80XZSN70ATOY-E2
	AC 2 Wires NC	LE80XZSF50ATCY-D	LE80XZSN70ATCY-D	LE80XZSF50ATCY-E2	LE80XZSN70ATCY-E2

Technical Parameter

Supply voltage	20...250 VAC	20...250 VAC	20...250 VAC	20...250 VAC
Switch point drift	< ±10% Sr	< ±10% Sr	< ±10% Sr	< ±10% Sr
Load current	<300mA	<300mA	<300mA	<300mA
Voltage drop	<10V	<10V	<10V	<10V
Leakage current	<3mA	<3mA	<3mA	<3mA
Hysteresis	1...20%	1...20%	1...20%	1...20%
Repeat accuracy	<3%	<3%	<3%	<3%
Frequency	20Hz	20Hz	20Hz	20Hz
Output indicator	Yellow LED	Yellow LED	Yellow LED	Yellow LED
Polarity protection
Dielectric strength	2000V/AC 50/60Hz 60s	2000V/AC 50/60Hz 60s	2000V/AC 50/60Hz 60s	2000V/AC 50/60Hz 60s
Short-circuit protection
Ambient temperature	-25...+70°C	-25...+70°C	-25...+70°C	-25...+70°C
Ambient moisture	35...95%	35...95%	35...95%	35...95%
Protection degree	IP67	IP67	IP67	IP67
Housing material	PBT	PBT	PBT	PBT
Connection	Terminal connect	Terminal connect	M12 Connector	M12 Connector
Certification	CE	CE	CE	CE



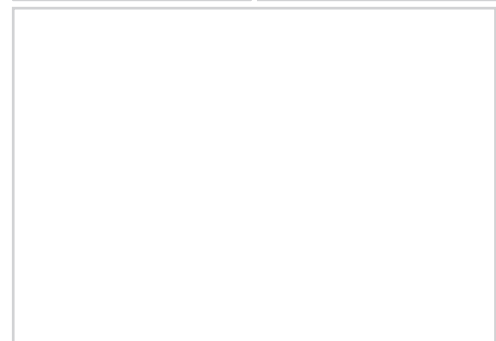
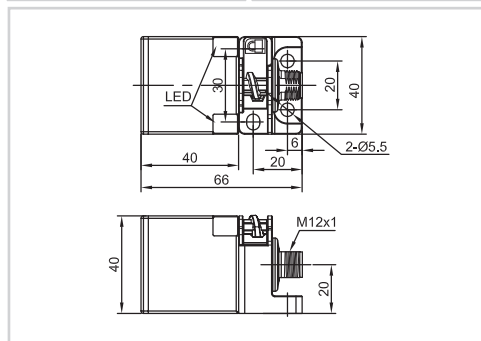
Item Code	LE40SZ	
Mounting	● Quasi-flush	◐ Non-flush
Sensing distance	25mm	40mm





Output	DC/AC 2 Wires NO	LE40SZSF25SBOY-E2	LE40SZSN40SBOY-E2
	DC/AC 2 Wires NC	LE40SZSF25SBCY-E2	LE40SZSN40SBCY-E2
	DC/AC 2 Wires NO/NC	LE40SZSF25SBBY-E2	LE40SZSN40SBBY-E2

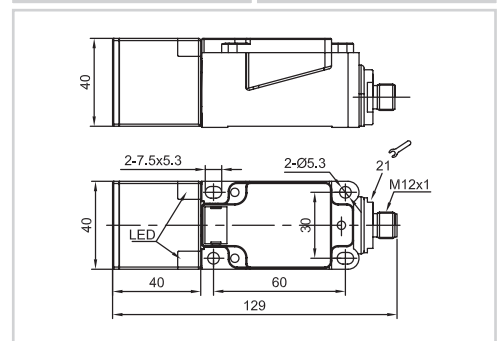
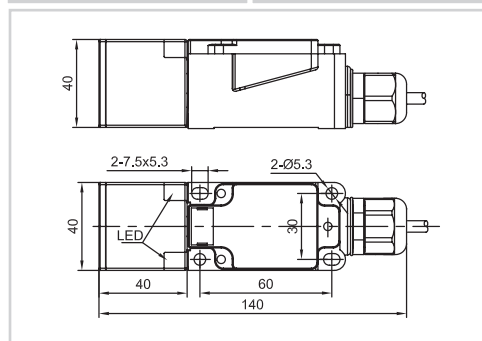
Technical Parameter

Supply voltage	20-250VAC/DC	
Switch point drift	< ±10% Sr	
Load current	AC: <300mA, DC: <100mA	
Voltage drop	AC: <10V, DC: <8V	
Leakage current	AC: <3mA, DC: <1mA	
Hysteresis	1...20%	
Repeat accuracy	<3%	
Frequency	AC: 20Hz, DC: 100Hz	
Output indicator	Yellow LED	Yellow LED
Polarity protection
Dielectric strength	2000V/AC 50/60Hz 60s	2000V/AC 50/60Hz 60s
Short-circuit protection
Ambient temperature	-25...+70°C	-25...+70°C
Ambient moisture	35...95%	35...95%
Protection degree	IP67	IP67
Housing material	PBT	PBT
Connection	M12 Connector	M12 Connector
Certification	CE	CE



Item Code		LE40XZ		LE40XZ	
Mounting		● Quasi-flush	◐ Non-flush	● Quasi-flush	◐ Non-flush
Sensing distance		25mm	40mm	25mm	40mm
					
Output	DC/AC 2 Wires NO	LE40XZSF25SBOY-D	LE40XZSN40SBOY-D	LE40XZSF25SBOY-E2	LE40XZSN40SBOY-E2
	DC/AC 2 Wires NC	LE40XZSF25SBCY-D	LE40XZSN40SBCY-D	LE40XZSF25SBCY-E2	LE40XZSN40SBCY-E2
	DC/AC 2 Wires NO/NC	LE40XZSF25SBBY-D	LE40XZSN40SBBY-D	LE40XZSF25SBBY-E2	LE40XZSN40SBBY-E2

Technical Parameter					
Supply voltage	20-250VAC/DC		20-250VAC/DC		
Switch point drift	< ±10% Sr		< ±10% Sr		
Load current	AC: <300mA, DC: <100mA		AC: <300mA, DC: <100mA		
Voltage drop	AC:<10V, DC:<8V		AC:<10V, DC:<8V		
Leakage current	AC: <3mA, DC: <1mA		AC: <3mA, DC: <1mA		
Hysteresis	1...20%		1...20%		
Repeat accuracy	<3%		<3%		
Frequency	AC: 20Hz, DC: 100Hz		AC: 20Hz, DC: 100Hz		
Output indicator	Yellow LED	Yellow LED	Yellow LED	Yellow LED	
Polarity protection	
Dielectric strength	2000V/AC 50/60Hz 60s	2000V/AC 50/60Hz 60s	2000V/AC 50/60Hz 60s	2000V/AC 50/60Hz 60s	
Short-circuit protection	
Ambient temperature	-25...+70°C		-25...+70°C		
Ambient moisture	35...95%		35...95%		
Protection degree	IP67		IP67		
Housing material	PBT		PBT		
Connection	Terminal connect	Terminal connect	M12 Connector	M12 Connector	
Certification	CE		CE		



Item Code	LE80XZ		LE80XZ	
Mounting	● Quasi-flush	◐ Non-flush	● Quasi-flush	◐ Non-flush
Sensing distance	50mm	70mm	50mm	70mm



Output	DC/AC 2 Wires NO	LE80XZSF50SBOY-D	LE80XZSN70SBOY-D	LE80XZSF50SBOY-E2	LE80XZSN70SBOY-E2
	DC/AC 2 Wires NC	LE80XZSF50SBCY-D	LE80XZSN70SBCY-D	LE80XZSF50SBCY-E2	LE80XZSN70SBCY-E2
	DC/AC 2 Wires NO/NC	LE80XZSF50SBBY-D	LE80XZSN70SBBY-D	LE80XZSF50SBBY-E2	LE80XZSN70SBBY-E2

Technical Parameter

Supply voltage	20-250VAC/DC		20-250VAC/DC	
Switch point drift	$\leq \pm 10\%$ Sr		$\leq \pm 10\%$ Sr	
Load current	AC: <300mA, DC: <100mA		AC: <300mA, DC: <100mA	
Voltage drop	AC:<10V, DC:<8V		AC:<10V, DC:<8V	
Leakage current	AC: <3mA, DC: <1mA		AC: <3mA, DC: <1mA	
Hysteresis	1...20%		1...20%	
Repeat accuracy	<3%		<3%	
Frequency	AC: 20Hz, DC: 30Hz		AC: 20Hz, DC: 30Hz	
Output indicator	Yellow LED	Yellow LED	Yellow LED	Yellow LED
Polarity protection
Dielectric strength	2000V/AC 50/60Hz 60s	2000V/AC 50/60Hz 60s	2000V/AC 50/60Hz 60s	2000V/AC 50/60Hz 60s
Short-circuit protection
Ambient temperature	-25...+70°C		-25...+70°C	
Ambient moisture	35...95%		35...95%	
Protection degree	IP67	IP67	IP67	IP67
Housing material	PBT		PBT	
Connection	Terminal connect	Terminal connect	M12 Connector	M12 Connector
Certification	CE		CE	

